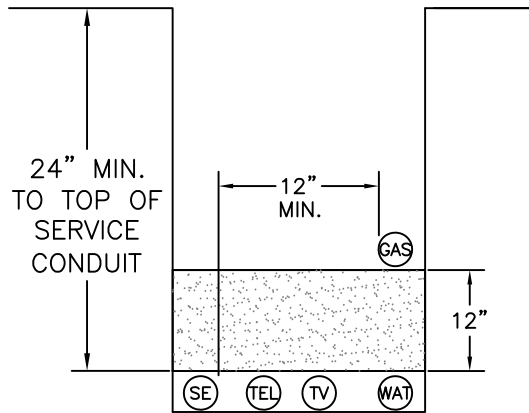


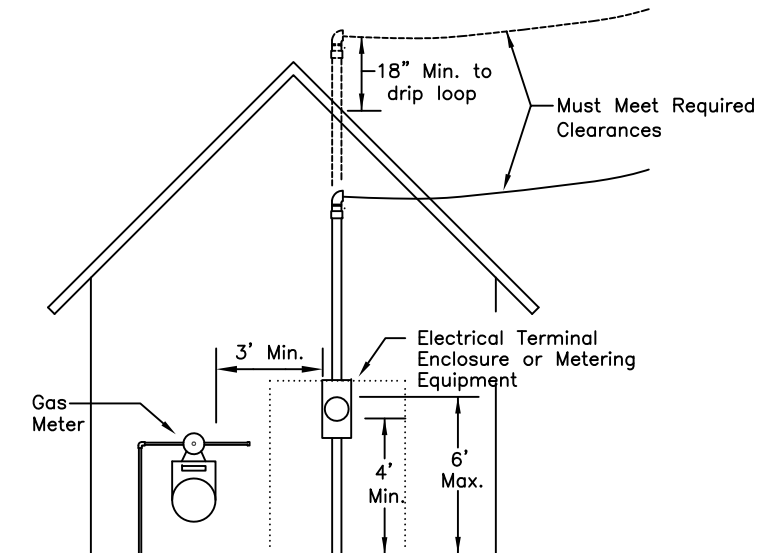
## JOINT SERVICE TRENCH TYPICAL : WITH GAS



MAINTAIN 12" HORIZONTAL SEPERATION  
& 12" VERTICAL SEPERATION BETWEEN  
GAS & SE CONDUIT

## CLEARANCE BETWEEN ELECTRICAL METER BASE AND GAS METER (OR OTHER OBSTRUCTIONS)

UNDERGROUND/OVERHEAD RESIDENTIAL SERVICES

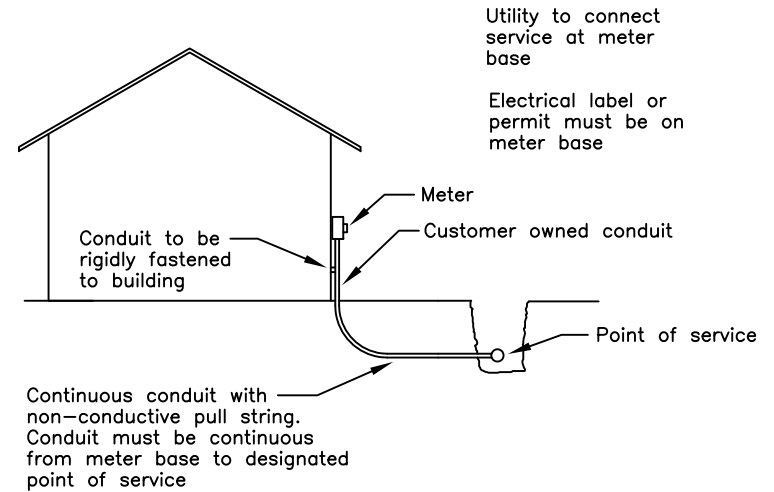


NESC Requires Clear Working Space of  
75" High x 36" Wide x 36" in Front

3-foot minimum clear working space required between  
electric meter and gas meter.

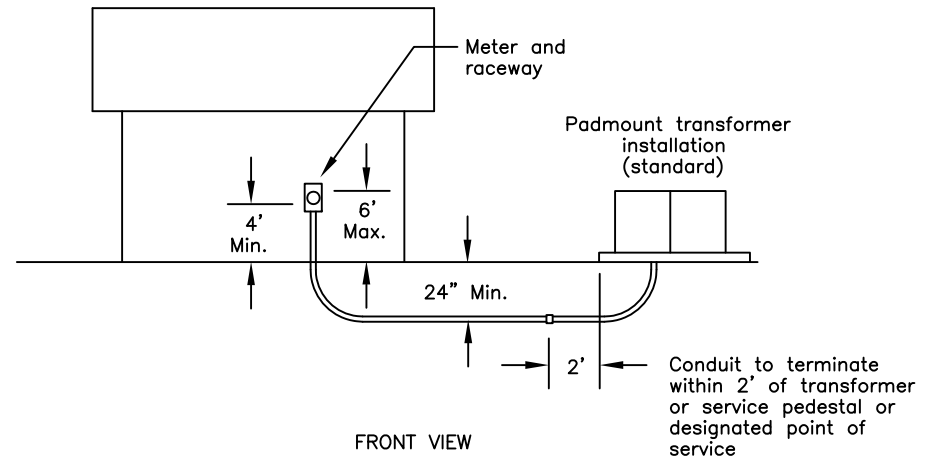
## UNDERGROUND SERVICE

SERVICE DETAIL  
SINGLE FAMILY DWELLING  
CUSTOMER SUPPLIED TRENCH AND CONDUIT



SIDE VIEW

NOTE: FOR 200 AMP RESIDENTIAL  
SERVICES USE 3" PVC

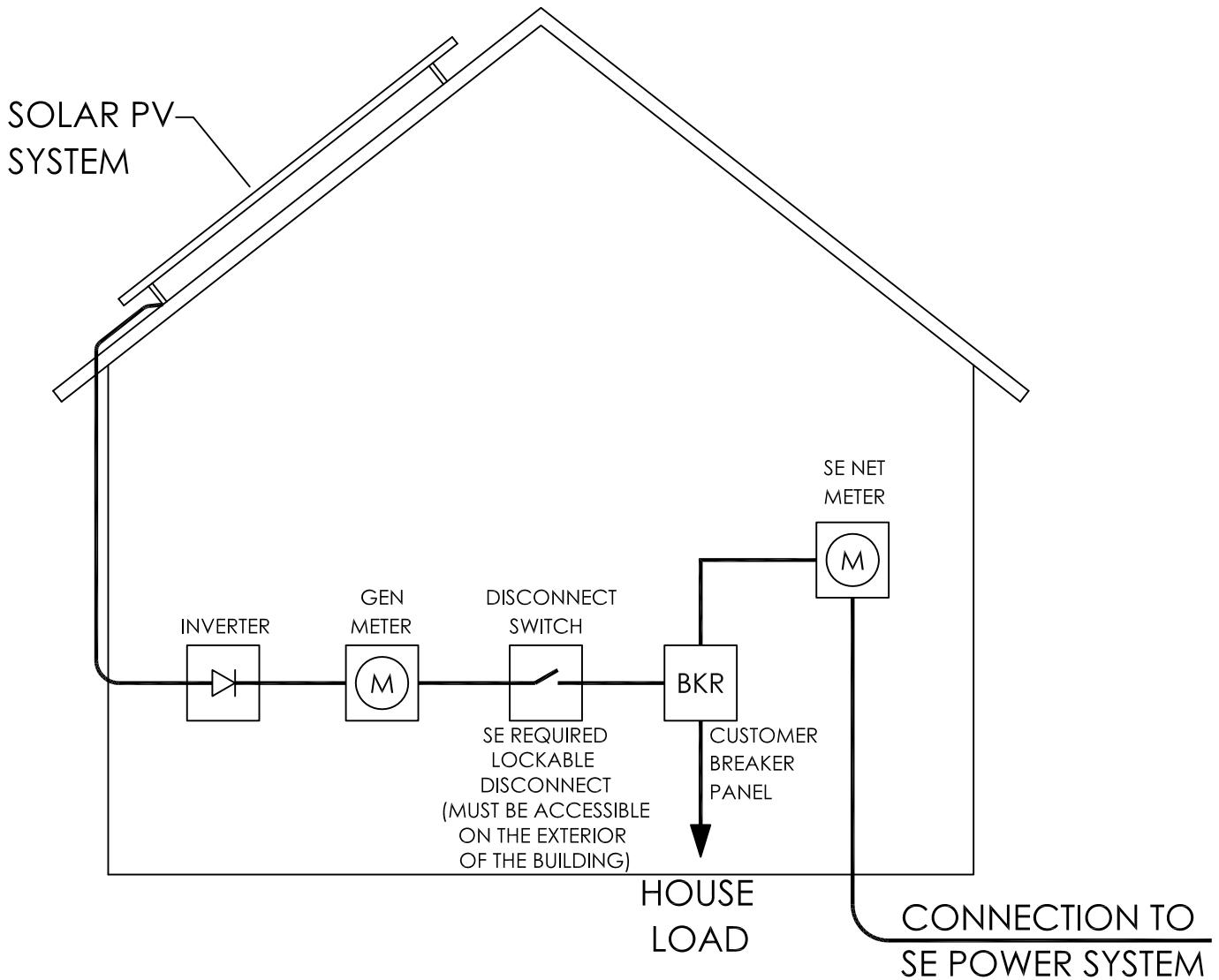


FRONT VIEW




**Salem Electric**  
SERVING KEIZER AND SALEM  
633 SEVENTH STREET NW  
PO BOX 5588  
SALEM, OR 97304-0055  
503-362-3601

# SALEM ELECTRIC TYPICAL NET METERED SOLAR PV INSTALLATION



## TYPICAL SCHEMATIC

\*Salem Electric net meters all renewable energy systems less than 25kW. All projects installed on SE's system are subject to SE approval prior to final energization. Contact SE prior to starting a project for information about our net metering program guidelines and requirements.

 <b>Salem Electric</b> SERVING KEIZER AND SALEM 633 7th St NW Salem OR 97301 503 362-3601	
SCALE None	REVISED 7-11-11

TITLE
<b>Salem Electric</b> <b>Typical Net Metered</b> <b>Solar PV Installation</b>

ENGINEER Schacher
APPROVED
DATE 6-28-11
GRID