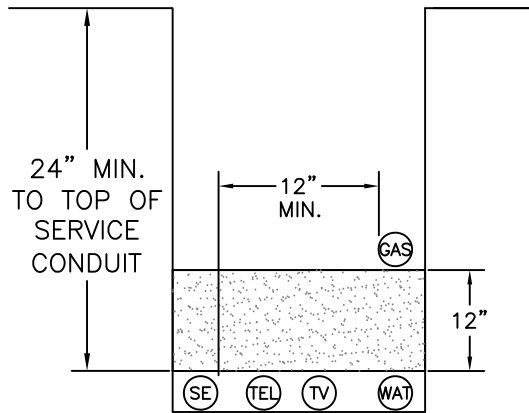


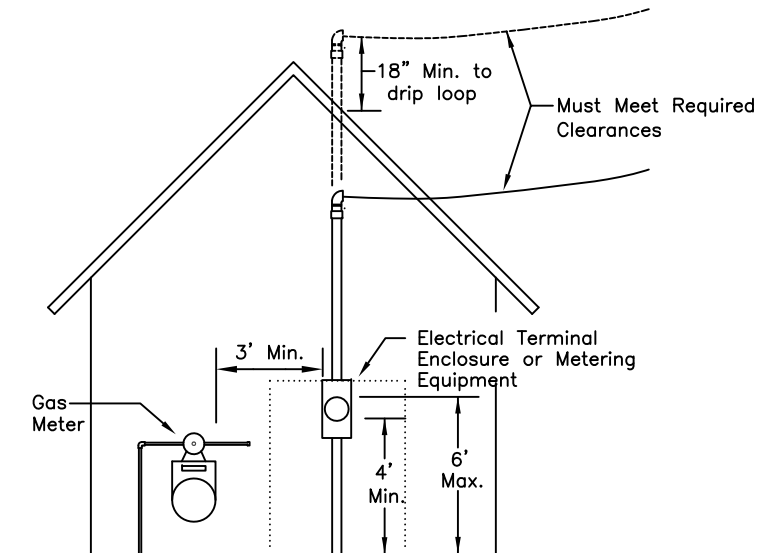
JOINT SERVICE TRENCH TYPICAL : WITH GAS



MAINTAIN 12" HORIZONTAL SEPERATION & 12" VERTICAL SEPERATION BETWEEN GAS & SE CONDUIT

CLEARANCE BETWEEN ELECTRICAL METER BASE AND GAS METER (OR OTHER OBSTRUCTIONS)

UNDERGROUND/OVERHEAD RESIDENTIAL SERVICES

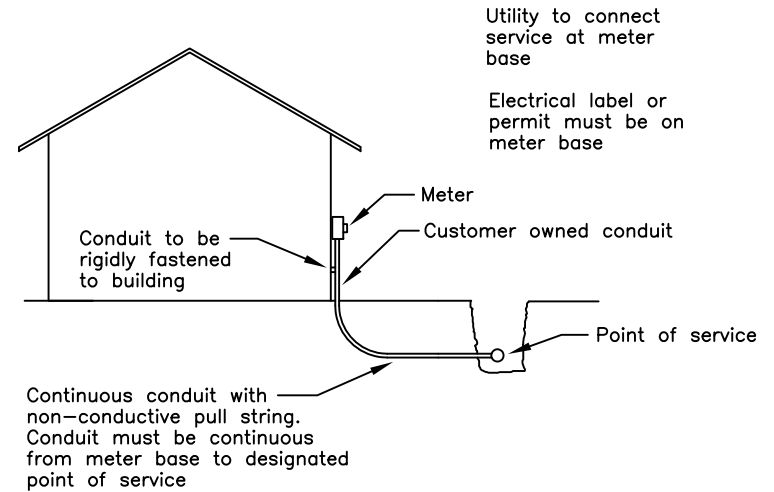


NESC Requires Clear Working Space of 75" High x 36" Wide x 36" in Front

3-foot minimum clear working space required between electric meter and gas meter.

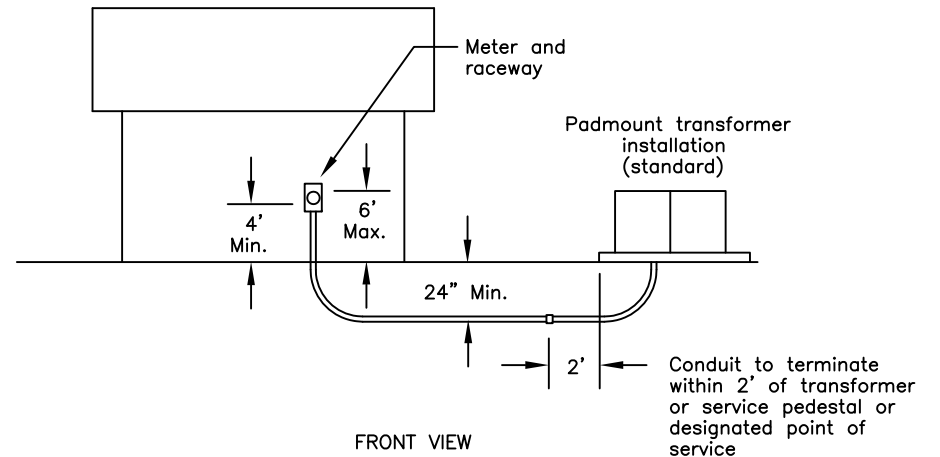
UNDERGROUND SERVICE

SERVICE DETAIL
SINGLE FAMILY DWELLING
CUSTOMER SUPPLIED TRENCH AND CONDUIT



SIDE VIEW

NOTE: FOR 200 AMP RESIDENTIAL SERVICES USE 3" PVC



FRONT VIEW



Salem Electric
SERVING KEIZER AND SALEM
633 SEVENTH STREET NW
PO BOX 5588
SALEM, OR 97304-0055
503-362-3601